



Quick Start Guide

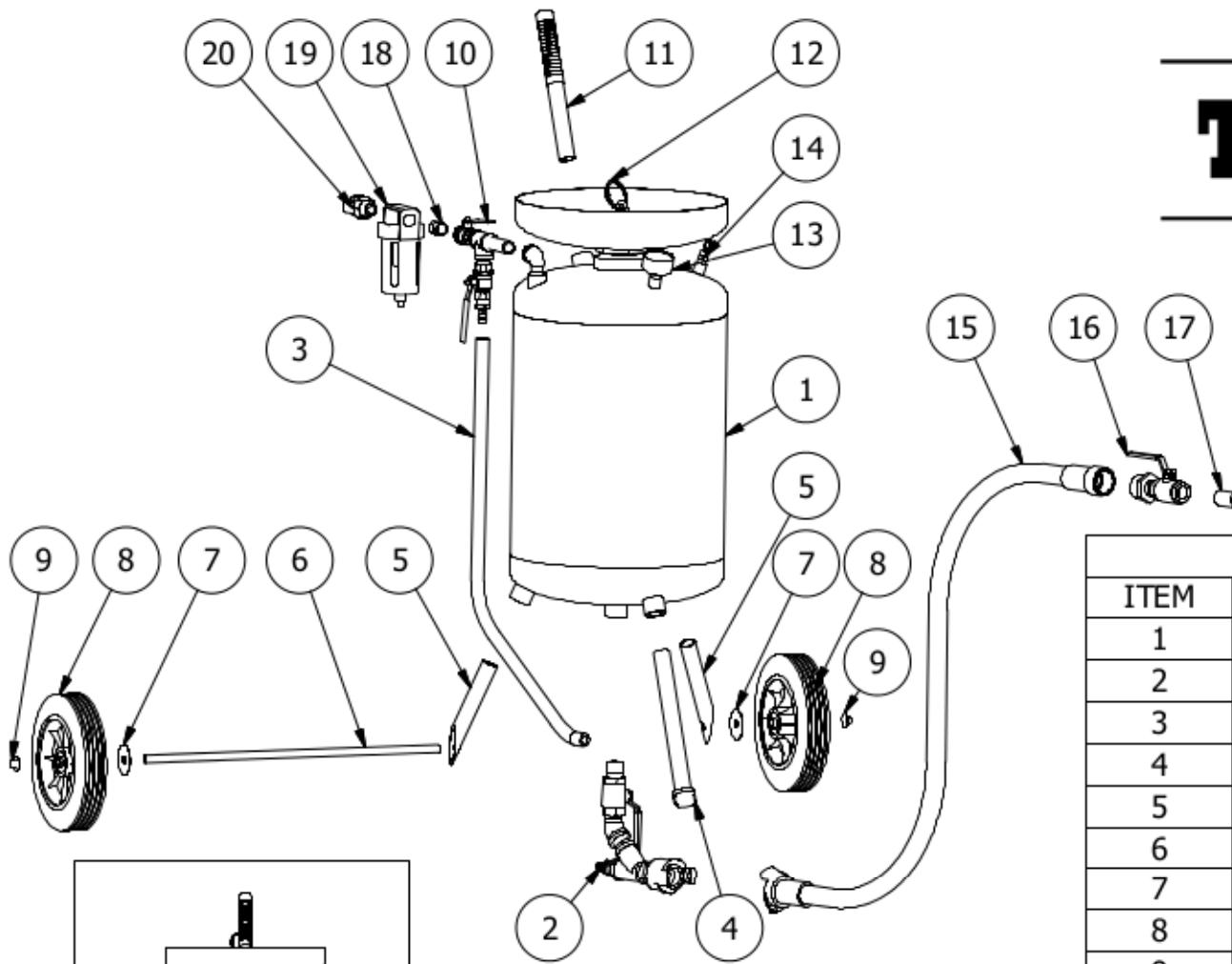
<p style="text-align: center;"><u>What's in the Box</u></p> <p>1 – Texas Blaster Tank Assembly 1 – Lower Assembly with Blow Down Hose attached 2 – Struts (in a cardboard tube) 1 – Leg 1 – Axle w/ Axle Cap installed 1 – Axle Cap 2 – ½ x 2 Washers 2 – Wheels 1 – Upper Assembly 1 – Handle</p> <p style="text-align: center;"><u>Tools You Need</u></p> <p>12" Pipe Wrench or Slip Jaw Pliers Thread Sealant – Tape or Liquid Hammer 9/16 Socket</p> <p>Fittings to connect your air compressor to the Texas Blaster Unit</p>	<p style="text-align: center;"><u>Assembling the Texas Blaster</u></p> <ol style="list-style-type: none"> 1. Thread on Lower Assembly – See inset for alignment. Use sealant. 2. Install Leg. 3. Thread on Struts – The flats face out. 4. Install Wheels, Washers, Axle per exploded view. 5. Set Axle Cap. Use 9/16 socket & hammer. 6. Install Upper Assembly – See inset. Use sealant. 7. Install Blow Down Hose to Upper Assembly – This may be difficult. Warming & applying dish soap helps. No additional fasteners needed. 8. Align Upper Assembly – See inset for alignment. 9. Install Handle.
<p style="text-align: center;"><u>Attach Accessories</u> (Accessories are found in the Accessory Box shipped with your Texas Blaster)</p> <ol style="list-style-type: none"> 1. Attach optional Water Separator using supplied nipple. Use sealant. 2. Attach user provided air compressor fitting or optional Crows Foot. Use sealant. 3. Attach Blast Hose to quick connect fitting on Lower Assembly – These are difficult to connect/disconnect, they are supposed to be. 4. Thread Nozzle Holder Assembly (NHA) to Blast Hose – This is optional, we do not use it. We delete the ball valve only using the 1 ¼ x ¾ bushing. 5. Thread Nozzle into NHA or 1 ¼ x ¾ bushing. 	<p style="text-align: center;"><u>Using your Texas Blaster</u></p> <ol style="list-style-type: none"> 1. Close all the valves. 2. Add media. 3. Attach air line from compressor to Texas Blaster – You may need to supply the required fittings. 4. Lift up on the Pull Up. Slowly open the inlet valve on the Upper Assembly, pressuring the tank. 5. With the hose pointed in a safe direction and the NHA ball valve fully opened, open the blow down valve on the Upper Assembly. 6. SLOWLY open the grit valve on the Lower Assembly until media dispenses smoothly. If media is sputtering, valve is opened too far. Close valve until media/air stream is smooth.

This Quick Start Guide is provided to get you up and blasting. For more comprehensive instructions, assembly guides, and videos, visit texasblaster.com/resources/instructions. If you have questions, contact jessica@texasblaster.com or 210-260-3042

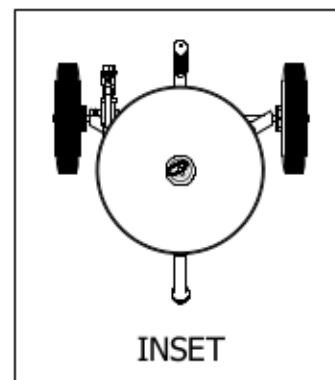
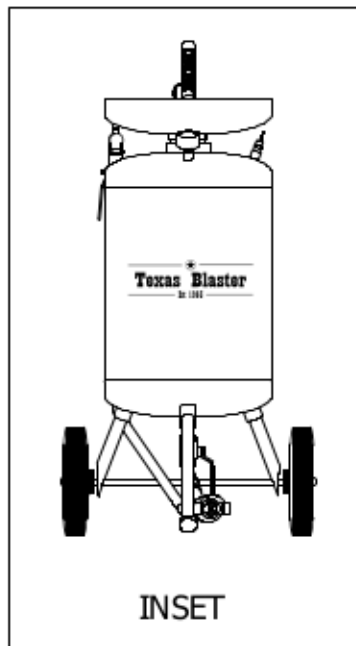


Texas Blaster

Est 1963



EXPLODED VIEW



PARTS LIST		
ITEM	QTY	DESCRIPTION
1	1	TANK ASSEMBLY
2	1	LOWER ASSEMBLY
3	1	BLOW DOWN HOSE
4	1	LEG
5	2	STRUT
6	1	AXLE
7	2	WASHER 1/2 X 2
8	2	WHEEL
9	2	AXLE CAP
10	1	UPPER ASSEMBLY
11	1	HANDLE
12	1	PULL UP
13	1	GAUGE
14	1	POP-OFF 125psi
15	1	BLAST HOSE (LENGTH VARIES)
16	1	NOZZLE HOLDER ASSEMBLY (NHA)
17	1	NOZZLE
18	1	NIPPLE 1/2IN CLOSE (OPTIONAL)
19	1	WATER SEPERATOR (OPTIONAL)
20	1	CROWS FOOT (OPTIONAL)