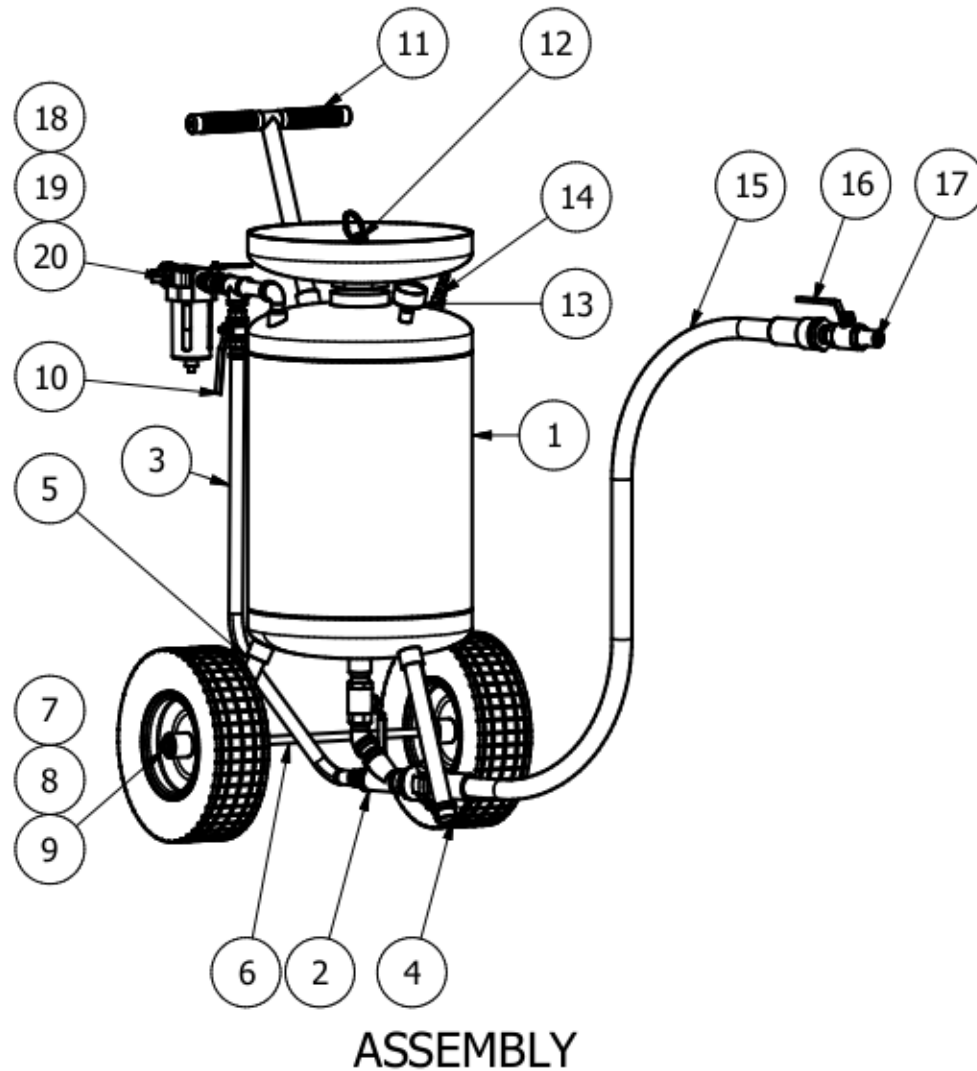



Texas Blaster
 Est 1963



PARTS LIST		
ITEM	QTY	DESCRIPTION
1	1	TANK ASSEMBLY
2	1	LOWER ASSEMBLY
3	1	BLOW DOWN HOSE
4	1	LEG
5	2	STRUT
6	1	AXLE
7	2	WASHER 1/2 X 2
8	2	WHEEL 13X500-6
9	2	AXLE CAP
10	1	UPPER ASSEMBLY
11	1	T-HANDLE
12	1	PULL UP
13	1	GAUGE
14	1	POP-OFF 150psi
15	1	BLAST HOSE (LENGTH VARIES)
16	1	NOZZLE HOLDER ASSEMBLY
17	1	NOZZLE
18	1	NIPPLE 1/2IN CLOSE (OPTIONAL)
19	1	WATER SEPERATOR (OPTIONAL)
20	1	CROWS FOOT (OPTIONAL)